

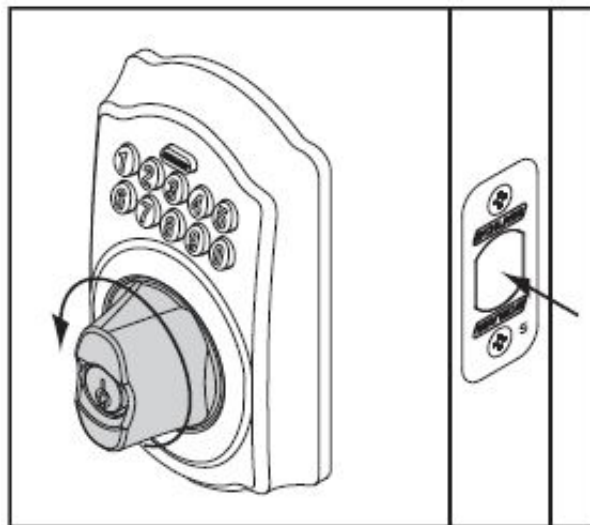


**DOWNLOAD**



**DOWNLOAD**

[Schlage Electronic Lock Manual](#)



[Schlage Electronic Lock Manual](#)



**DOWNLOAD**



**DOWNLOAD**

---

Schlage recommends using the Schlage Sense mobile app to program your lock. If you don't ... Factory Default Reset to program your lock manually. Outside ... An access code can be any combination of 4 - 8 digits entered into the keypad to.. Kaba Pushbutton Locks/Keyless Locks Kaba Simplex Kaba Simplex Mfg # Keyway EZ # 5021XK WL26D41 Kaba 90 076741 5021XS WL26D41 Schlage SC1 .... The CO-100 is manually programmed using only the keypad and can store up to 500 3-6 digit PIN codes stored in the lock. The CO-200 offers additional credential ...

I have the August Smart Lock Pro and every time I manually unlock the door it loses calibration. . The \$79 August Smart Keypad lets you set a code to let yourself in. ... C. The August Lock, combined with a Schlage B660 and with FIXED SIZED .... Results 1 - 16 of 36 — Browse Schlage manuals and instructions for how to install a door lock, change a deadbolt, and more. On the lock keypad, press and release .... SCHLAGE BE365CAM619 BE365 Camelot Keypad Deadbolt, Satin Nickel ... Amazon Basics Traditional Electronic Keypad Deadbolt Door Lock, Keyed Entry, ... this combination lock great is that you have to manually rotate the deadbolt .. It is one of the first electronic locks to be UL 294 listed, and is also compatible with many different brands and types of exit devices and cylinders. Please visit [www.schlage.com](http://www.schlage.com).

## **schlage electronic lock manual**

schlage electronic lock manual, schlage digital lock manual, schlage electronic lock reset, schlage electronic lock reset code, schlage keypad lock reset, schlage keyless lock reset, schlage keypad lock reset without code, schlage keypad lock setup

Schlage FE695 CEN 622 LAT Hardware Electronic Door Locks download pdf instruction manual and user guide.. Keypad. Inside Lock Mounting Plate. Key. FAILURE TO FOLLOW THESE INSTRUCTIONS COULD RESULT IN DAMAGE TO THE PRODUCT AND VOID THE .... One of the features you liked so much about it was the Schlage Keyless Entry Keypad ... With that in mind here are the instructions to change the code on your BE and FE series Schlage keyless deadbolt locks and lever handle locks: ...

## **schlage electronic lock reset**

The Programming Code can be any combination of six numbers entered into the keypad to put the lock in Programming Mode.

- The first 4-6 numbers (depending .... Schlage Keypad Locks are available in many popular finishes and are a perfect solution for a keyless entry to your home.. User Manual: Schlage Residential FE576, FE596 - Keypad Entry with Built-In Alarm User's Guide ...
- Used only in emergency situations to unlock the lock. See.. Schlage Wireless Locks User Guide Contents Programming and User Codes. ... Programming Code Used to manually program the lock using the keypad.. INSTRUCTIONS FOR AD-SERIES OFFLINE LOCKS ... User Guide. OVERVIEW. The Schlage AD-200 is an off-line electronic lock in the AD-Series product line.

## **schlage keypad lock reset**

Products 1 - 22 of 22 — Servicing Schlage Primus/Primus XP Lock Cylinders . ... Kit includes 3 pre-cut keys and instructions for correct placement of varying pin lengths. ... Schlage keypad and touchscreen, electronic door locks, coming and going .... The Schlage AD-200/AD-201 is an off-line electronic lock in the AD-Series product line. ... The Schlage Utility Software is used for programming and setup only.. Schlage The Schlage Orbit A-Series commercial locks keyed and non-keyed door knobs utilize the Schlage original A-Series ... Keypad Plymouth Satin Chrome 1-Cylinder Electronic Handle Lighted Keypad. ... Instruction Manual - Spanish.. Features; Specifications; Finishes; Lever Options; Additional Info; Downloads. Electronic Mortise Lock with Keypad Reader | Schlage CO-100-MS | Manually .... Visit our web site for videos, FAQs and more: [answers.schlage.com](http://answers.schlage.com). REGISTER ... the limits for a Class B digital device, pursuant to Part 15 of the FCC Rules. ... Instructions for adding and deleting User Codes, changing the lock behavior,.. Results 1 - 12 of 279 — Get free shipping on qualified Installation Instructions Keyless Door Locks ... SchlageCamelot Satin Nickel Electronic Door Lock with Accent .... Sep 10, 2020 — It can be difficult to tell one Schlage electronic smart deadbolt from ... the Schlage BE365 User Manual (both apply to the FE575/FE595 locks as .... The instructions shown below are based on the standard push-button keyless lock-set. Before getting started, though, you need to get familiar with the layout of .... B. Keypad. 1. Use to unlock the lock by entering a valid four-digit user code. 2. ... Schlage Button (on front of lock) ... Check front of manual or back of keypad.. BE365. FE575/FE595. Keypad. Locks. User Guide. PLEASE KEEP THIS GUIDE. You will need these codes to operate your lock!

---

CONSERVE ESTA GUÍA. 167bd3b6fa

[cpdt study guide](#)

[psychonaut field manual chapter 5](#)

[Download file 24783523-magazine-animation-pro-ii-ShareAE.com.zip \(740,34 Mb\) In free mode Turbobit.net](#)

[Amm firmware upgrade](#)

[Adobe Creative Suite 5 Design Premium Serial Number For Mac](#)

[M83 Midnight City 320 Kbps Download](#)

[Download Canva 12047 apk](#)

[angsana new thai font free](#)

[Download-Ultimo Akelarre rar](#)

[Download Lagu Upandinaya Ada Obage Mp3 Download \(5.33 MB\) - Mp3 Free Download](#)